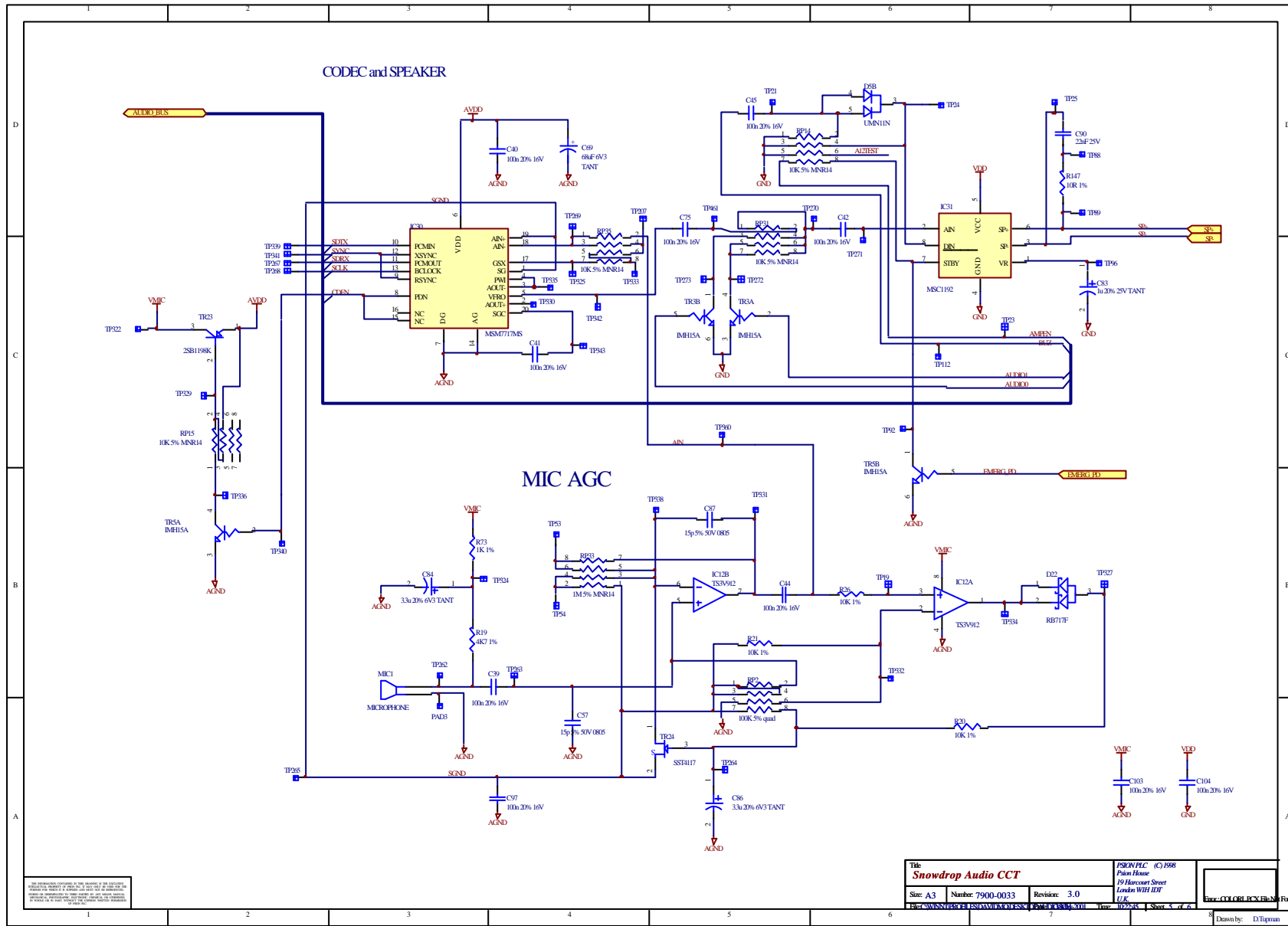


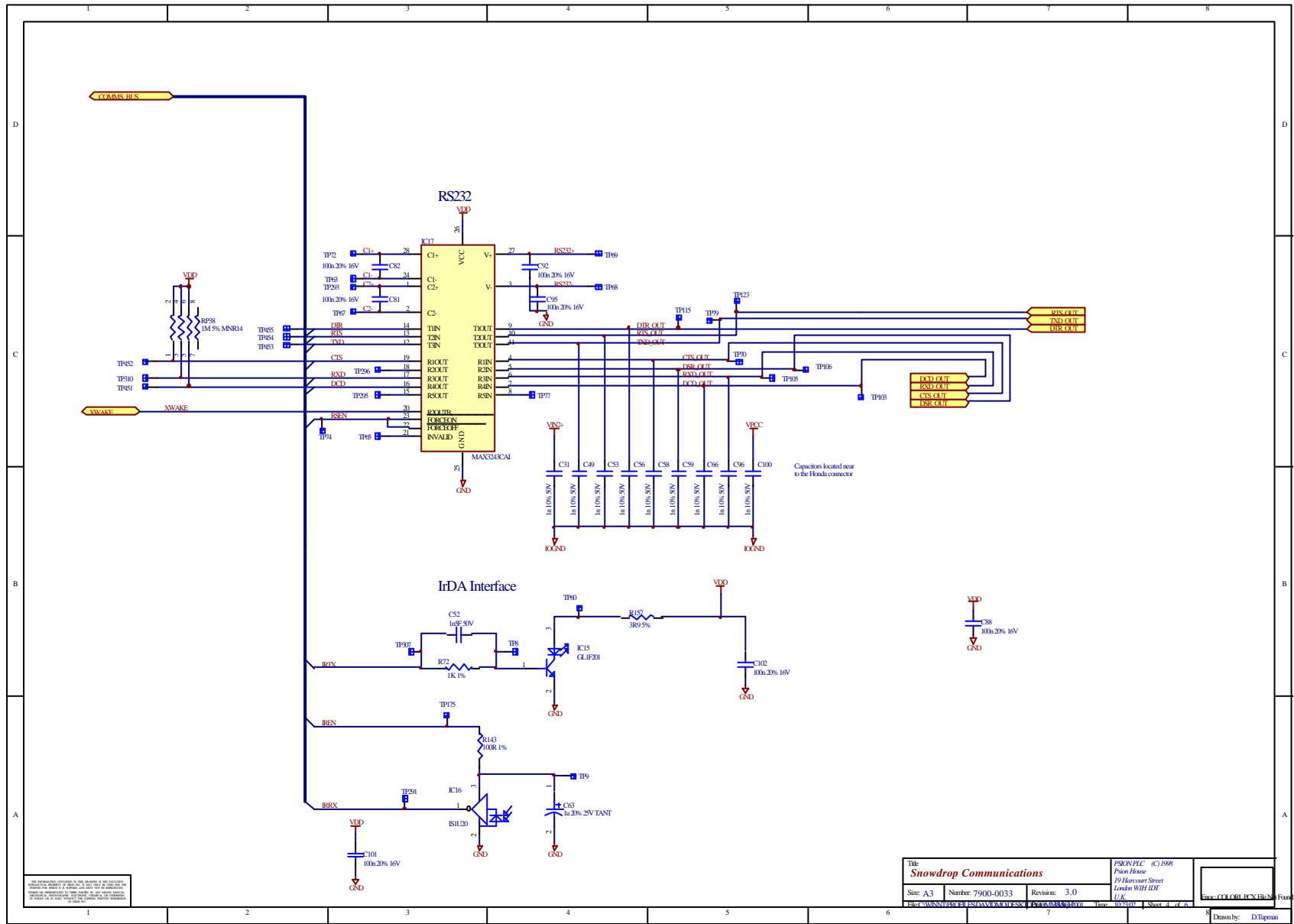
Title: Snowdrop Main PCB - Top Level
 Size: A2 Number: 9000003 Revision: 3.0
 Date: 2008-01-10
 Author: [Name]
 Designer: [Name]
 Checker: [Name]
 Approver: [Name]

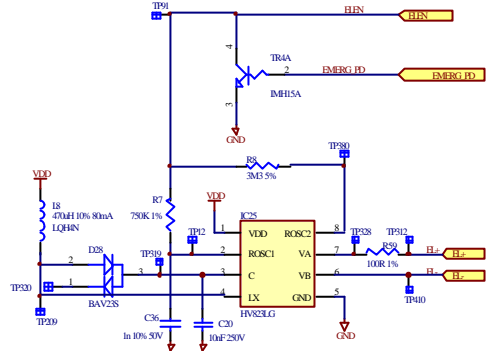
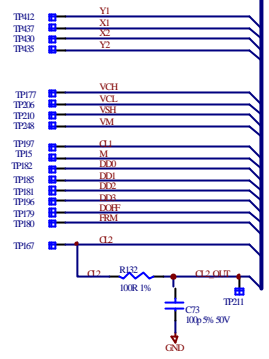
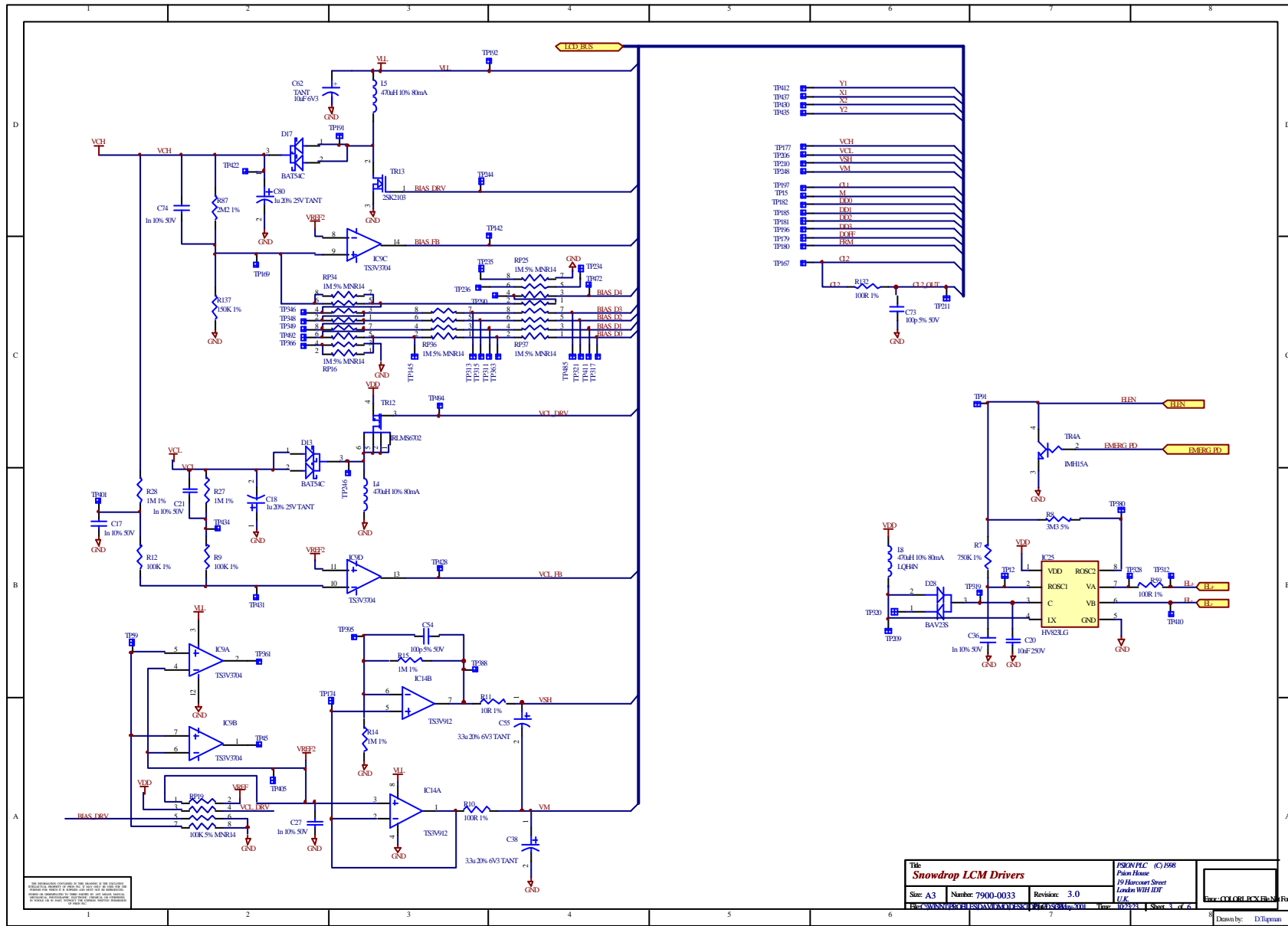


ALL INFORMATION CONTAINED HEREIN IS UNCLASSIFIED EXCEPT WHERE SHOWN OTHERWISE. THIS INFORMATION IS UNCLASSIFIED DATE 03/08/2010 BY 60322 UCBAW/STW/STW

Title Snowdrop Audio CCT			PSON/PLC (C) 1998 Pison House 19 Harcourt Street Leamington Spa U.K.	
Size: A3	Number: 7900-0033	Revision: 3.0	Date: 03/08/2010	Sheet: 5 of 6

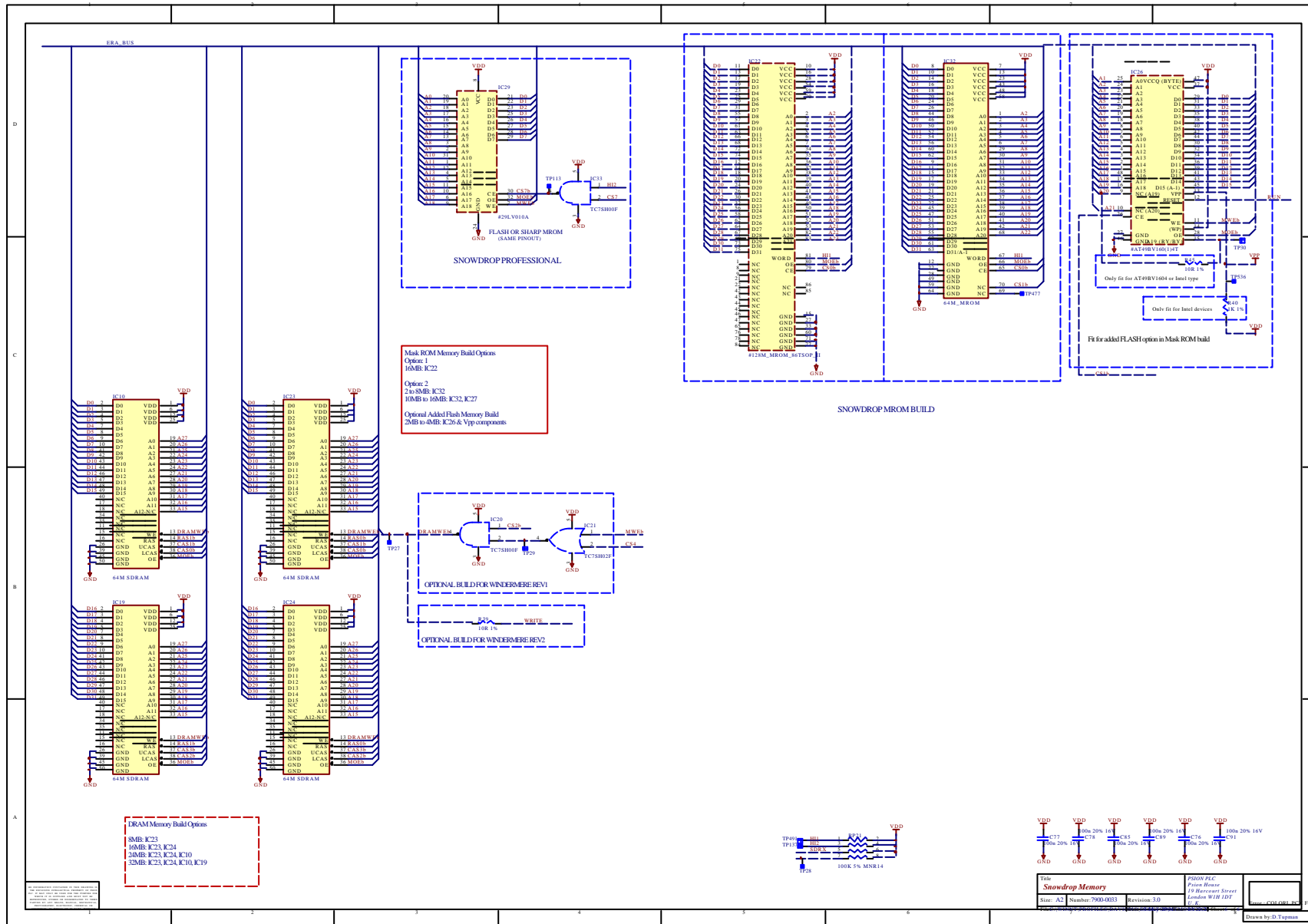
Drawn by: D.Tigman





THIS DOCUMENT IS UNCLASSIFIED AND IS AVAILABLE TO THE PUBLIC. IT IS THE PROPERTY OF PIONEER ELECTRONIC CORP. AND IS LOANED TO YOU. IT IS TO BE RETURNED TO THE SOURCE. IT IS NOT TO BE REPRODUCED OR TRANSMITTED IN ANY FORM OR BY ANY MEANS, ELECTRONIC OR MECHANICAL, INCLUDING PHOTOCOPYING, RECORDING, OR BY ANY INFORMATION STORAGE AND RETRIEVAL SYSTEM. WITHOUT THE WRITTEN PERMISSION OF PIONEER ELECTRONIC CORP.

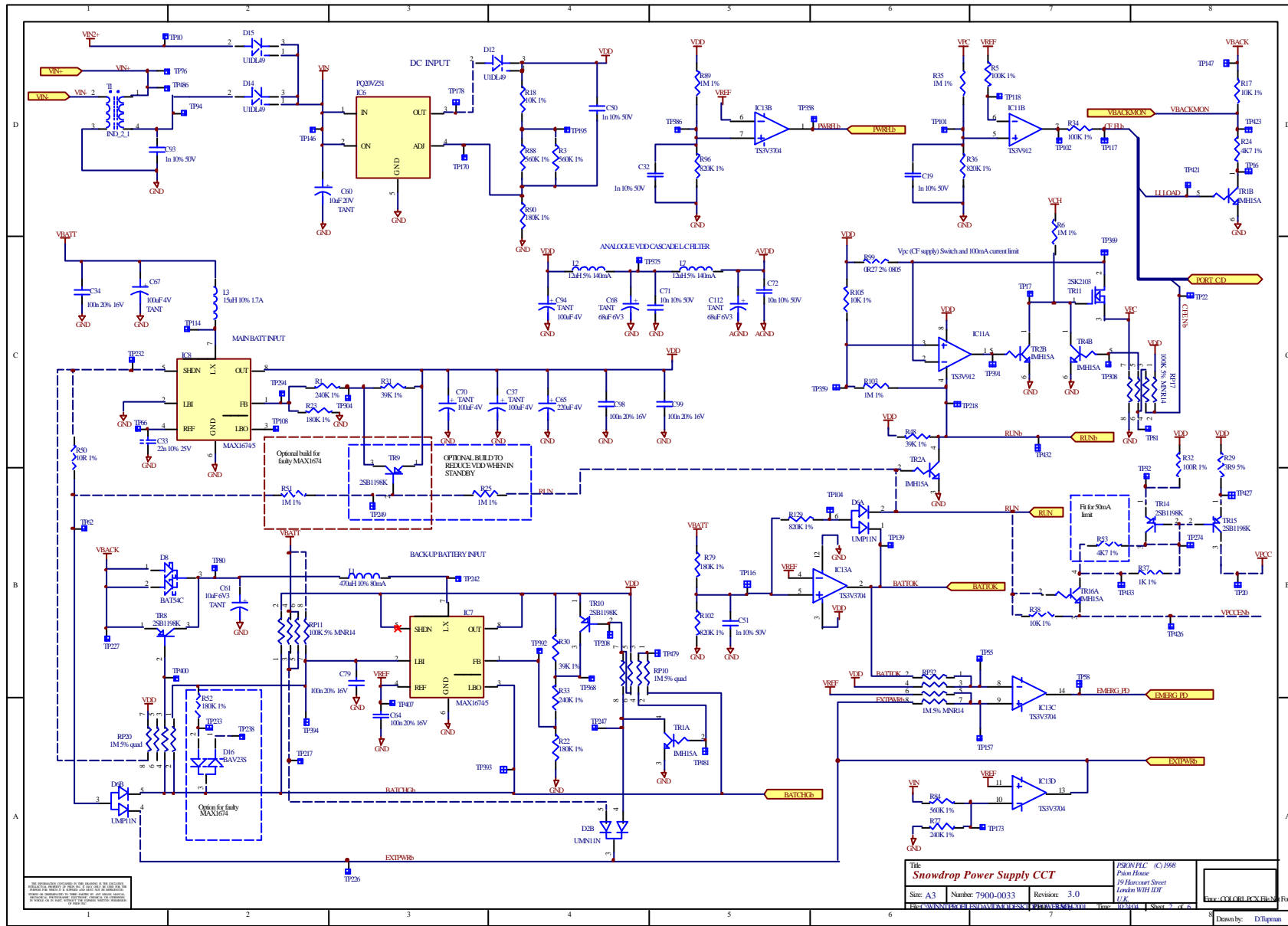
Title: Snowdrop LCM Drivers			PSON/PLC (C)1998	
Site: A3			Pison House	
Number: 7900-0033			19 Harcourt Street	
Revision: 3.0			Leam, WILT, UK	
Date: 02/03/01			Tel: 01299 300000	
Drawn by: D.Tipman			Fax: 01299 300001	



© 2003 Pine Systems Limited. All rights reserved. This document is the property of Pine Systems Limited. It is to be used only for the purposes for which it is issued. It is not to be distributed, copied, or reproduced in any form without the prior written permission of Pine Systems Limited.

Title: **Snowdrop Memory**
 PDSOM PLC
 Pine House
 19 Beacon Street
 London W1B 1DT
 U.K.
 Size: A2 Number: 7000-0031 Revision: 3.0
 Drawn by: D. Tuppin

File Not Found



© 2000 Plessey Semiconductors Ltd. All rights reserved. This document is the property of Plessey Semiconductors Ltd. and is not to be distributed outside the company without the express written permission of Plessey Semiconductors Ltd.

Title Snowdrop Power Supply CCT			PSION PLC ©1998 Plessey House 19 Harcourt Street London W1P 1UE U.K.	
Size: A3	Number: 7900-0033	Revision: 3.0	Drawn by: D.Tippan	
File: WIN95\PROJECTS\SNOWDROP\DESIGN\PSION\PSION.PLT			Date: 01/01/01	Sheet: 5 of 6